



# Operation Instruction

## Wireless Carpet Detector



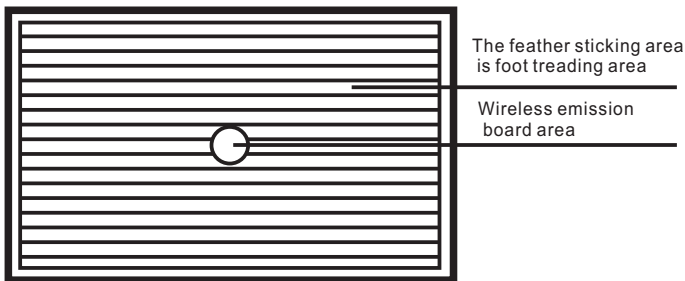
### 1 Safety instructions

**!** Thank you for purchasing. Please read this instruction before your installation

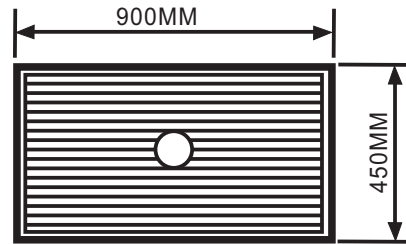
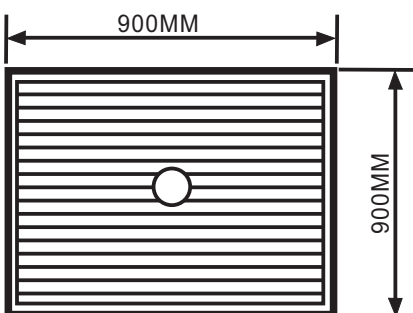
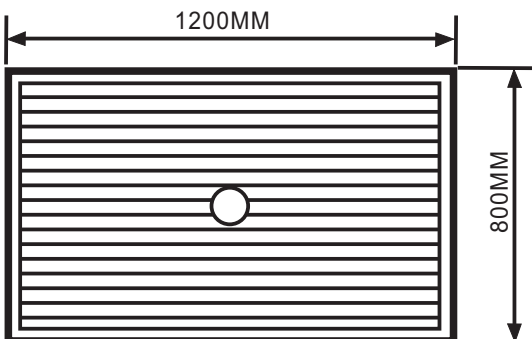
### 2 Character

- The mat is made of PVC material, Surface sticker are Wear-resistant and compressive.
- Up and down mat are joint by high wave welded, Waterproof.
- In the center of the square mat, there is a round stainless steel box to protect the wireless send board from pressure.
- 2.4GHZ(2.405GHZ----2.485GHZ) 1SM channel. Anti-interference
- Low power emission but long distance technology, so the battery life will be very long

### 3 Product overview



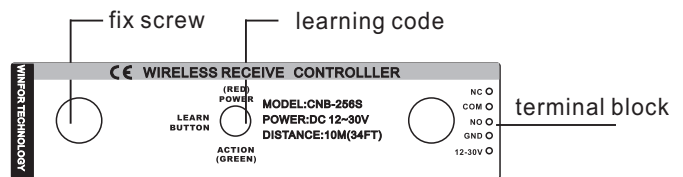
### 4 Specification



### 5 Main technology of the wireless mat:

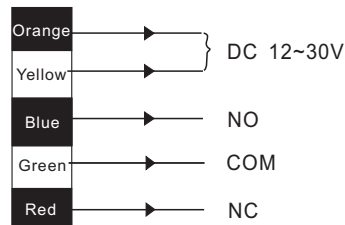
- Power supply: 2 pcs button batteries
- Emission current: 3.8mA
- Consumption: 6uA(Standby current)
- Always on: 3.8mA
- Life time: 300 time treading every day, at least last 17 month
- No battery along with the mat, you need to press the stainless steel lid and move it off and then install the battery (You need to buy in your local market, Because shipment do not accept battery)
- Emission distance: above 5 m ( without Shielding environment)
- Trigger strength: 15Kg
- Maximum pressure: 800kg
- Waterproof: IP68 (It is not good idea to put is in water for long time)

### 6 Wireless receiver Overview



- Small and convenient to install it in the automatic door track;
- Learning model, it is easy to install and assort
- AC/DC 12—36V
- Relay signal output to support access control
- Lights indicator show work condition

### 7 Wireless application sample:



### 8 Learning code method:

- This is the learning model product, you need to learning the code to the controller before using it( Maximum mats for one controller: 8 pcs)
- Learning method: Open the stainless steel lid, and press the receiver button. The blue light is on and connect with the learning point of the mat, the blue light shining that learning successful. It automatically leave the learning model within 10s.
- Delete method: Press the learning button for 5s, the green light will twinkle few times, all the code will be canceled (Do not support delete one by one)

### 9 Receiver technology data:

- Power supply: AC/DC 12—30V
- Standby current: 15mA
- Action current: 80mA(DC 12V)
- Work temperature: -42—45C
- Work humidity: 10—90%RH
- Dimension: 110\*30\*15mm
- Remark: Avoid to install it between the motor and the controller. The signal will be disturbed