



# Operation Instruction

## Safety Beam Sensor

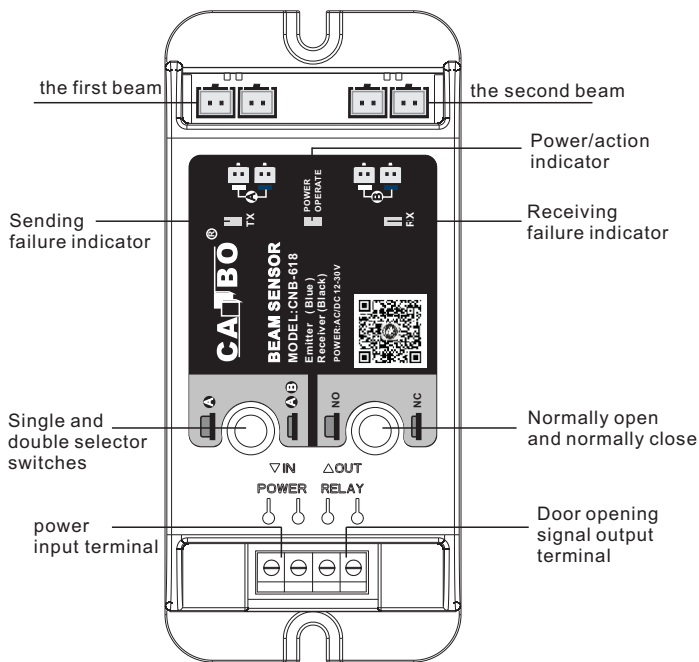


- Emission electric eye adopts low-power consumption design with far transmit distance.
- Emission contact and receive contact output separately with shielding line.
- When the signal light be blocked, N.O or N,C contact can be flexibly chosen.
- With AC/DC 12-30V Power Input
- Warning Alarm will be sent when eye sensor has problems

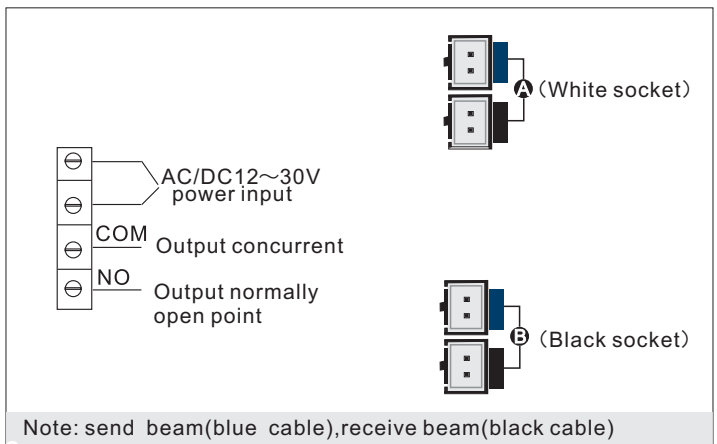
### 1 Security Guide

⚠ Thank you buy our products, please read the instructions before use.

### 2 Panel instructions and Use Description



### 4 The definition of input and output terminals



### 5 Specific considerations

- 1.Single Beam must be connected into Group A (White Socket). Double beam must be connected into Group A+B (Both White and Black Socket)
- 2.The eye installation hole should be 13mm.
- 3.Single beam installation height:60cm from ground. Double beam installation height: One beam should be 30cm from ground. The Other should be 90cm from ground.
- 4.The eyes installation should be vertical and horizontal level. Keep away the black beam from sundries to avoid error action.
- 5.Pls keep away from tree and flower to avoid error action
- 6.Pls make sure the installation height should be at least 20cm from ground.

### 6 Parameters

Supply power:	AC/DC12~30V
Static current:	12V-18mA
Action current:	12V-58mA
The maximum transmit distance :	10m
NO or NC contact:	Switch to choose
Beam:	single beam or double beam
Working Environment temperature:	-42°C ~ 45°C
Working environment humidity:	10-90%RH
Appearance dimensions(controller):	105.5(L)×53.4(W)×28.5(H)mm
Appearance dimensions(Magic eye head):	19(L)×13(D)mm

### 3 The overall characteristic

- With Pull in& out type Socket for easy wiring
- International optical lens design with good focus quality, controlled angle is rational, easy to be installed.
- Far transmit distance with strong , anti-interference ability.
- Adopt microcomputer control technology, high integration with high stability.
- Adopt microcomputer control technology, high integration with high stability.

Adopting receiving filter,decoding,amplification system of German technology. Effective solution to anti-interference of natural daylight.

4:Indicator light definition

TX: emitting fault indicator light. The first emitting fault (short circuit, open circuit) indicator light flashes.

Flash 3 times per second. Second beam emissionfault (short circuit, open circuit) indicator light flashes slowly one second and goes out one second

POWER: the standby red light is long on, the green light flashes during the action, on and off for one second.

RX: receiving fault indicator light: the first beam of receiving short-circuit fault indicator light flashes Three flashes per second. When the second beam receives short circuit fault, it will be on for one second and off for one second.