

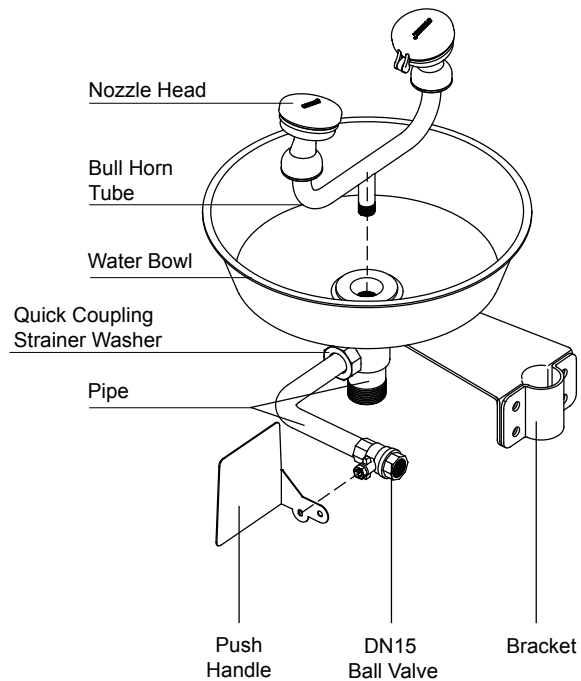
Wall Mounted Eye/Face Wash

WG7023



It complies with the regulations in ANSI Z358.1-2014 standard and OSHA 29 CFR 1910.151(C) issued by ANSI has acquired CE Certification

- Application: Eye/Face wash for wall mounting Bowl guides waste water to drain and keeps floor clean
- Materials: AES plastic + 304 Stainless Steel
- AES plastic has weather resistance properties and applies to indoors or outdoors
- With good acidproof, alkali prevention performances, 304SS is ideal for harsh environment
- Be activated by push handle easily
- The coin slot hidden faucet aerator is easy to remove and clean
- Dust cover is removed once unit started
- Comply with ANSI Z358.1-2014 and AS 4775-2007



Eye/Face Wash

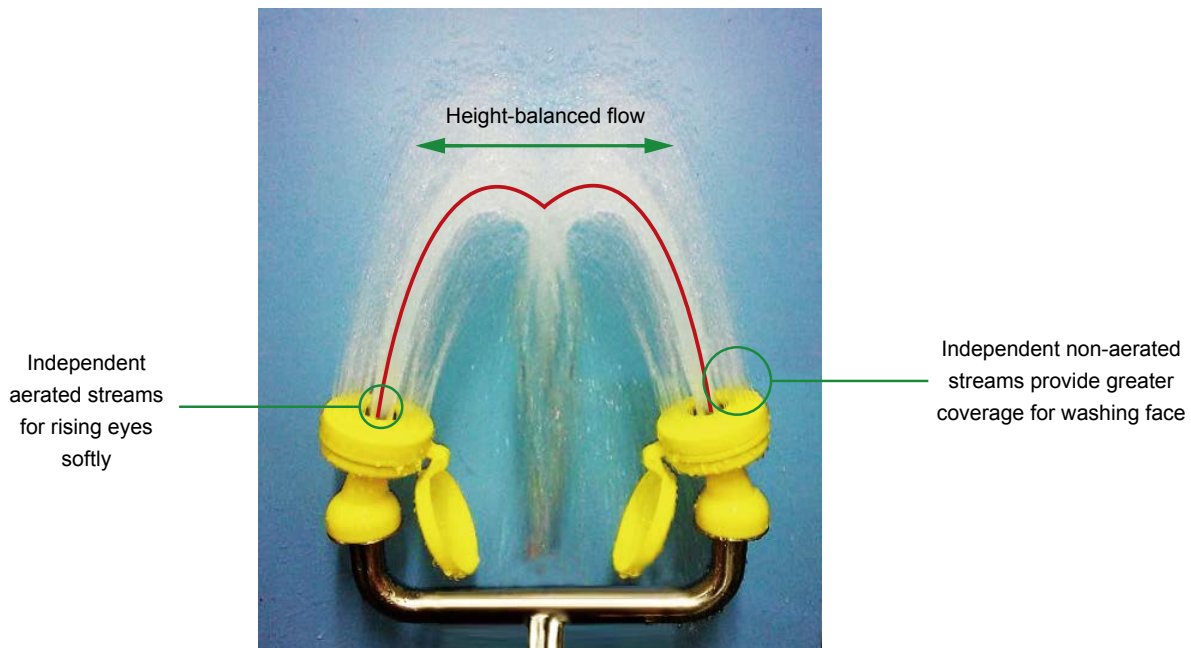
Product	Main Material	Water Bowl		Flow Rate (L/min)	Inlet	Outlet	Pressure KPa	Packing size LxWxH(cm)	G.W. (kgs.)	N.W. (kgs.)	Certification	Model
		Material	Diameter x Height (cm)									
Wall Mounted Eye/Face Wash	304 Stainless Steel	304 Stainless Steel	32x9.5	11.4	1/2"	1-1/4"	210kPa or 2.1bar or 30psi	58x36x25.5	3.1	1.9	ANSI Z358.1 AS 4775 CSA CE	WG7023

SYSBEL Shower

The latest shower developed by SYSBEL is composed of the spraying header plate and shower head. Water can be uniformly scattered by the vortex shower on the inner wall of the shower head, and sprayed along the arc of the inner wall in the tapered spout form, so the body can be gently flushed with plenty of water, without harm. To a certain degree, harmful substances can be rapidly and efficiently flushed away under emergency conditions. This series of products fully complies with ANSI Z358.1-2014 and AS 4775-2007, and has been tested and approved by CSA.



- The unique nozzle design is adopted. The same height can be maintained under certain water pressure, to avoid the operating obstacles caused by water pressure.
- The nozzle can be used for spraying two kinds of water at the same time, with balanced heights. The water flow is steady and uniform due to the built-in flow limiter.
- The bubbler with a coin slot is easy to remove and install, and thus simple to clean and maintain.
- The dust-proof cover can protect the nozzle from being contaminated by dust in the air. Once the eyewash is started, the dust-proof cover will be opened automatically under water flow.
- The copper nut is built in the 304SS nozzle base and connected to the horn elbow, and its strength is enough to allow repeated removal and installation and ensure longer service life.
- The nozzle is made of AES engineering plastic which is superior to ABS engineering plastic, and has outstanding features of weather resistance, high rigidity, corrosion resistance, UV resistance, etc.
- The main fittings and other accessories are made of 304 stainless steel and applicable to adverse workplaces.
- The bright yellow plastic is used to facilitate observation and identification.
- The quick connector is equipped with a built-in filter to prevent debris or impurities from flowing into the nozzle, in order to avoid secondary damage to the eyes. In addition, the connector is easy to operate, which is conducive for cleaning and maintenance on a regular basis.
- The eye/face wash series fully comply with ANSI Z358.1-2014 and AS 4775-2007, and has been tested and approved by CSA.



Note:

To meet ANSI Z358.1-2014 and AS4775-2007 minimum performance requirements. SYSBEL safety showers require: Minimum flow rate of 3.0gpm (11.4 lpm) at a dynamic pressure of 210 kPa (30 psi).

Supply piping shall be adequately sized to meet flow requirements. We strongly recommend customer to use steel tube for connecting. Any flexible hoses are prohibited.