

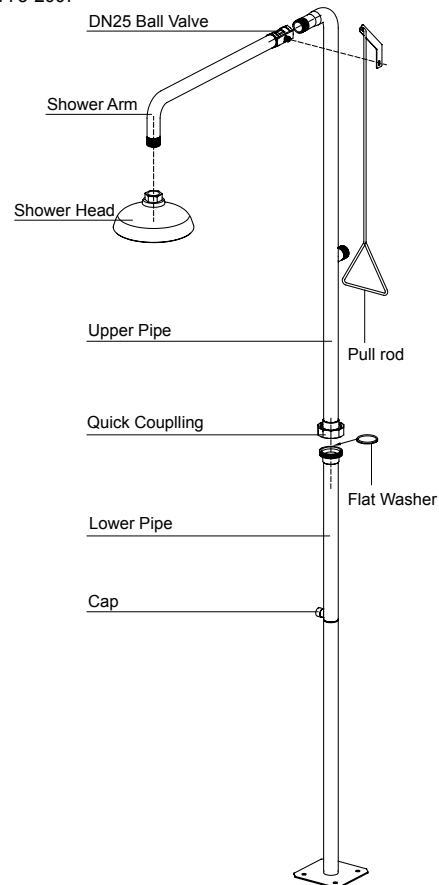
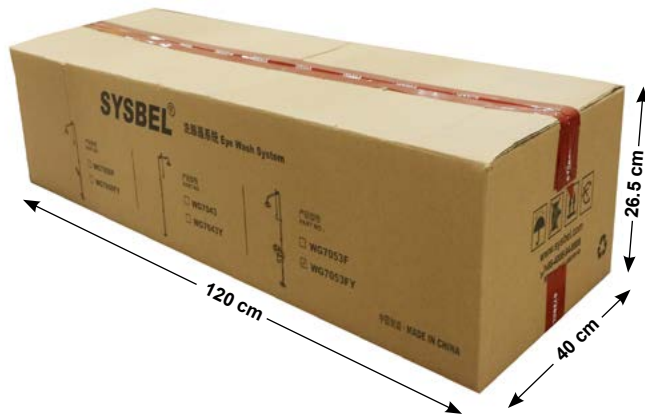
Pedestal Mounted Safety Shower

WG7043Y



It complies with the regulations in ANSI Z358.1-2014 standard and OSHA 29 CFR 1910.151(C) issued by ANSI has acquired CE Certification

- Application: For emergency showering in the position with hazardous chemical materials
- Materials: AES plastic + 304 Stainless Steel
- AES plastic has weather resistance properties and applies to indoors or outdoors
- With good acidproof, alkali prevention performances, 304SS is ideal for harsh environment
- Pull rod with triangular handle is easy to operate for showers
- The design with equal length of main pipes makes packaging more compact so that helps to save space and cost
- Equipped with flat washer in quick coupling to prevent leakage between joints and fitting
- Flow regulator is built in shower arm tube
- The shower head delivers a large volume flushing fluid spread evenly in a precise pattern and controlled flow rate.
- Comply with ANSI Z358.1-2014 and AS 4775-2007



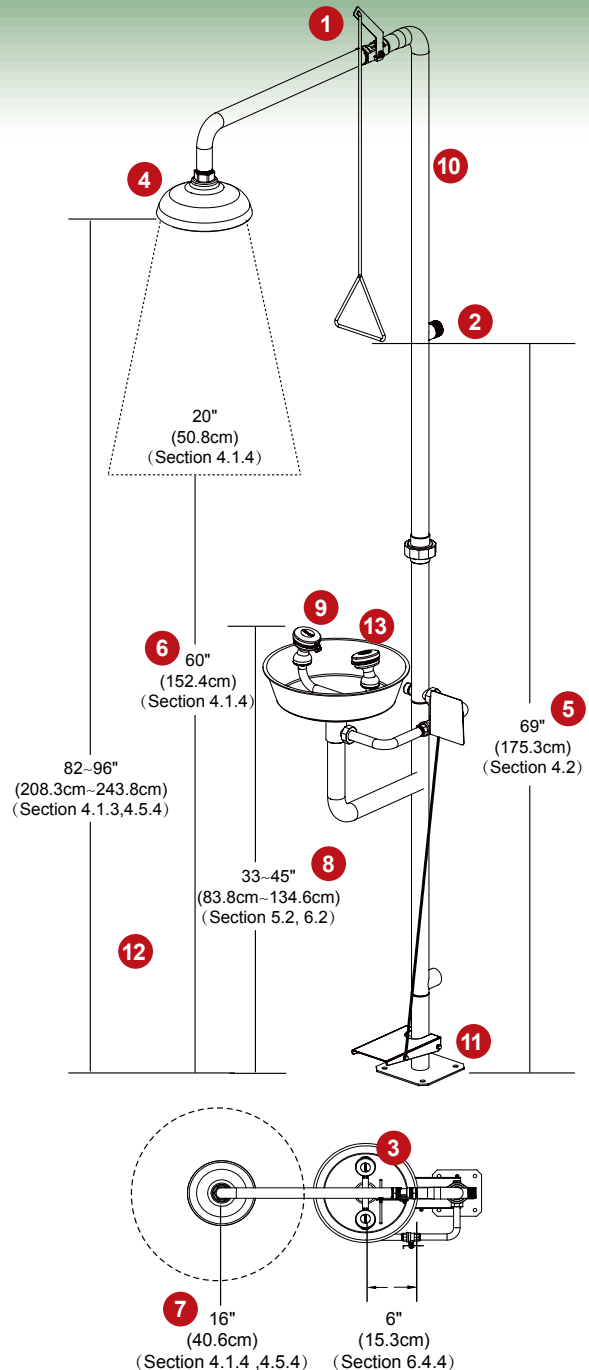
Safety Drench Shower

Product	Main Material	Water Bowl		Flow Rate (L/min)	Inlet	Outlet	Pressure KPa	Packing size LxWxH(cm)	G.W. (kgs.)	N.W. (kgs.)	Certification	Model
		Material	Diameter x Height (cm)									
Pedestal Mounted Safety Shower	304 Stainless Steel	AES plastic	25.5x7.5	75.7	1"	-	210kPa or 2.1bar or 30psi	120x40x26.5	9.5	6.7	ANSI Z358.1 AS 4775 CSA CE	WG7043Y

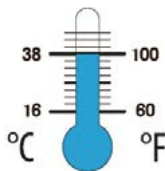


QUICK COMPLIANCE GUIDE Combination Unit

- 1** Valve mechanism activates in one second or less; it stays open until manually closed. (Section 4.2, 5.2, 6.1.4, 6.2)
- 2** Be connected to a system capable supplying adequate flushing fluid when all components are operated simultaneously. (Section 4.5.5, 7.4.4)
- 3** Height of the flushing fluid column pattern shall be between 82" (208.3cm) and 96" (243.8cm) above floor. (Section 4.1.3, 4.5.4)
- 4** Water supply shall be sufficient to supply at least 20GPM (75.7LPM) for 15 minutes. (Section 4.1.2, 4.5.5)
- 5** Valve actuator shall be located not more than 175.3cm (69") above floor. (Section 4.2)
- 6** The diameter shall be minimum of 50.8cm (20") at 152.4cm (60") above floor. (Section 4.1.4)
- 7** Center of the flushing fluid pattern shall be at least 16" (40.6cm) from any obstruction. (Section 4.1.4, 4.5.4)
- 8** Water flow pattern shall be positioned between 33" (83.8cm) and 53" (134.6cm) from the level on which user stands and 6" (15.3cm) minimum from the wall or nearest obstruction. (Section 5.4.4, 6.4.4)
- 9** Deliver at least 3.0 gallons (11.4 liters) of water per minute for 15-minute. (Section 6.1.6, 6.4.5)
- 10** Constructed of materials that will not corrode in the presence of the flushing fluid. (Section 7.1.1, 7.1.2, 7.1.3)
- 11** Located 10 seconds or 55 feet from contaminants or hazardous materials. Locate on the same level as hazard and free of obstructions. (Section 7.4.2, B5)
- 12** Protect nozzle head from airborne contamination, dust covers shall be removed by water flow immediately. (Section 5.1.3, 6.1.3)
- 13** Provided flushing fluid to both eye and face simultaneously at a velocity low enough without injury to skin. (Section 5.1.1, 6.1.1)



1. Water delivered by combination unit shall be tepid (60-100°F / 16-38°C) (Section 4.5.6, 5.4.6, 6.4.6, B6)



4. Training

Instruct all employees who maybe exposed to hazardous materials in the location and proper use of emergency fixtures. (Section 7.5.4)



2. 15-minute Flush Required
combination unit shall provide at least 3.0gpm (11.4lpm) of water for 15 minute (Section 7.4.5, B6)



5. Weekly activations & Annually inspections

Activate combination unit at least weekly and inspect annually for compliance with requirements of ANSI-Z358.1 (Appendix B2)



3. Identification

Be located in an area identified with a highly visible sign, the area around the fixtures shall be well-lit. (Section 7.4.3)



6. Recommend to connect a flushing fluid supply at a flow pressure of 210kPa (30psi) (Appendix B2)



30psi 210kPa