

FEATURES

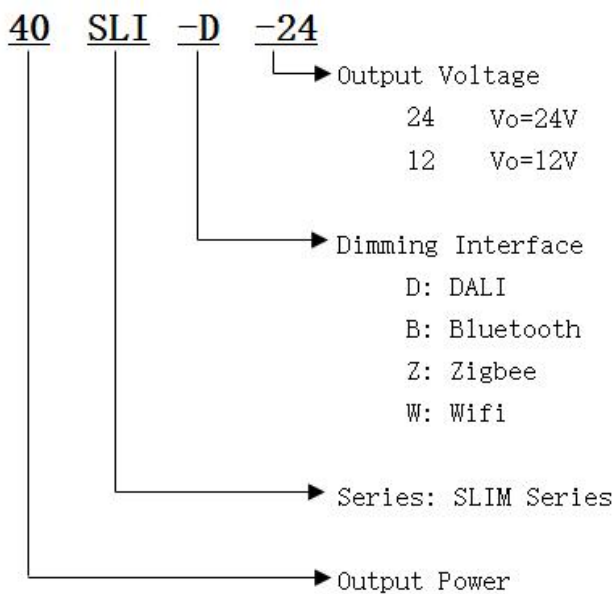
- Slim Outline, 22mm Height
- Constant Voltage, 12V/24V Compatible
- Optional Dimming Interface: DALI/WIFI/BLE
- Dim-to-off Option
- EN 61347-1, EN61347-2-13
- Linear/Log Dimming Curve Programmable
- 0-10V/PWM Dimming



ELECTRICAL SPECIFICATIONS

Part Number	PROGRAMMABLE OUTPUT VOLTAGE RANGE	MAX. OUTPUT CURRENT	DIMMING INTERFACE	Input Current	Power Factor	Efficiency	Line Regulation	Load Regulation	Ripple & Noise
40SLI	12-24 V	3.33A@12V 1.67A@24V	DALI/BLE/ WIFI/Zigbee	0.2A (230VAC)	0.96	>87%	±3%Vo	±3%Vo	2.0%Vo

ORDERING PART NUMBER





PROTECTION	OVER CURRENT	105~ 110% Protection type: Constant current limiting, recovers automatically after fault condition is removed
	SHORT CURRENT	Hiccup mode, recovers automatically after fault condition is removed
	OVER TEMP.	Hiccup mode, recovers automatically after fault condition is removed
ENVIRONMENT	WORKING TEMP.	-25 ~ +50°C
	WORKING HUMIDITY	20 ~ 95% RH non-condensing
	STORAGE TEMP., HUMIDITY	-40 ~ +85°C, 10 ~ 95% RH
	TEMP. COEFFICIENT	±3%°C
	VIBRATION	10 ~ 500Hz, 5G 12min./1cycle, period for 72min. each along X, Y, Z axes

SAFETY & EMC	SATETY STANDARDS	EN 61347-1, EN61347-2-13
	WITHSTAND VOLTAGE	I/P – O/P: 3.75kVAC
	ISOLTATION RESISTANCE	I/P – O/P: 100M Ohms / 500VDC /25°C / 70% RH
	EMC EMISSION	Compliance to EN55015, EN61000-3-2 Class C ($\geq 60\%$ load); EN61000-3-3
	EMC IMMUNITY	Compliance to EN61000-4-2,3,4,5,6,8,11; EN61547, EN55024

APPROVALS

-EMC: EN55015, EN61000-4-2,3,4,5,6,8,11
-EN61000-3-2 Class C



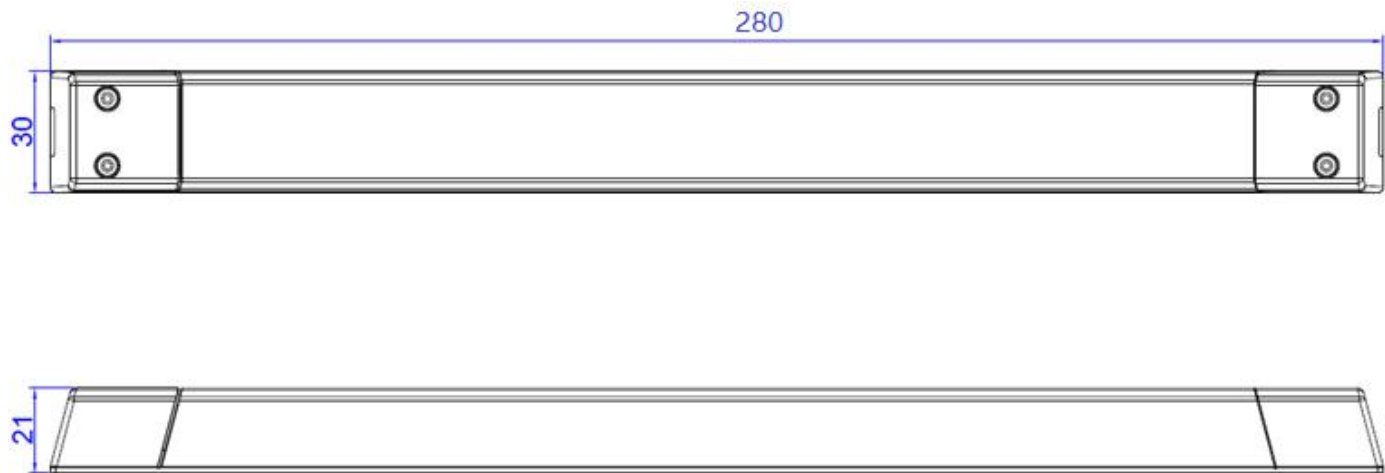
PACKAGING INFORMATION

Weight:	TBD
Quantity:	TBD
Size:	280mmx30mmx21mm

GENERAL INFORMATION

LED Driver Type	Constant Voltage
Maximum Wattage	40W
Input Voltage	198~264 VAC
Input Frequency	47 ~ 63 Hz
Total Harmonic Distortion	<10%
WARRANTY	5 year limited warranty
Inrush Current	30A at 230VAC cold start +25°C
MTBF	>200kHrs to MIL-HDBK-217 at25°C,GB
Protection	Overload/Overtemperature/Short circuit protection

MECHANICAL SPECIFICATION

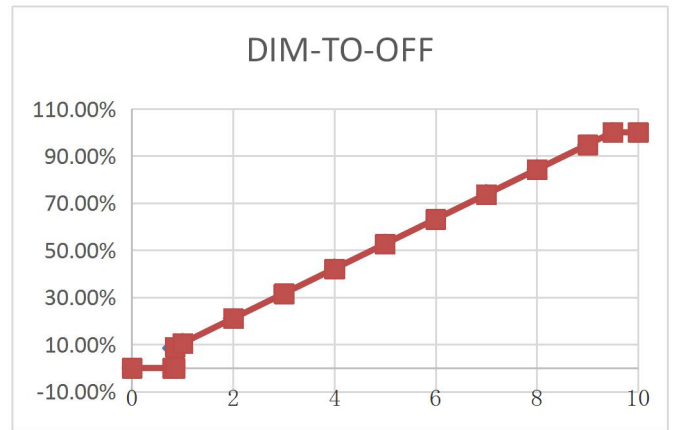
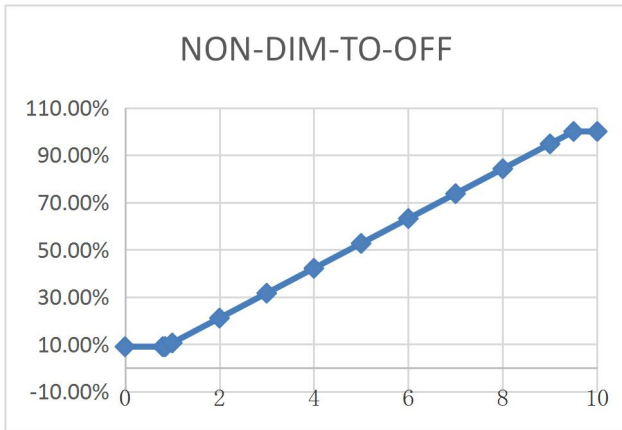


Dimming Function

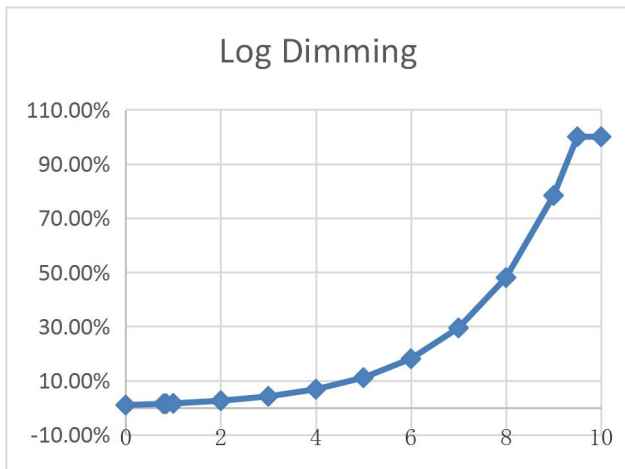
DALI DIM

Frequency	2.412~2.484GHz
WIFI Standard	IEEE802.11b/g/n
Bluetooth Standard	Bluetooth 4.1

DIMMING CURVE NON-DIM-TO-OFF DIMMING CURVE DIM-TO-OFF



DIMMING CURVE LOG



BLE/WIFI DIM

Mobile Phone APP

