



### Overview

HUIJUE not only produce outdoor cabinets, but also provide outdoor cabinet solutions that integrate telecom equipment, power supply systems, environmental monitor systems, cooling systems, power supply and lightning protection systems, etc.

Applied to various outdoor scenes such as roofs, street, mountains, railways, and various other complex outdoor environments.

### Operation Environment

- Working Temperature: -20 ~ +60°C
- Storage Temperature: -40 ~ +65°C
- Working relative humidity: no more than 80% (at +30°C)
- Storage relative humidity:  $\leq 90\% \sim 96\%$  ( $40^{\circ}\text{C} \pm 2^{\circ}\text{C}$ )
- Atmospheric pressure: 70kPa ~ 106kPa.

### Features

- HJ-OTC-W Series outdoor cabinet suitable for a variety of outdoor environments.
- Waterproof, Anti-corrosion, Durable
- IP degree: IP55, IP65
- Variety material optional: Galvanized sheet, Stainless Steel, Aluminum
- Variety cooling options to choose, Fans, Air condition, Heat exchange
- Floor mounting, wall mounting, pole mounting.
- Accept customized product.
- Various sensors, power distribution box, monitor, battery, etc, Optional.



[www.hj-network.com](http://www.hj-network.com)

Headquarter :No. 333 Fengcun Road, Fengxian District, Shanghai, China  
Factory Address :No. 26, Heshun Middle Road, Hai'an, Nantong, Jiangsu Province, China



# Outdoor cabinet

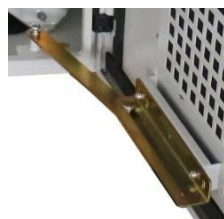
Wall mounting outdoor telecom cabinet HJ-OTC-W Series



3 point door lock



TEC200W



door stopper



light



wall mounting bracket



fans



shelves



door sensor



grounding bar



[www.hj-network.com](http://www.hj-network.com)

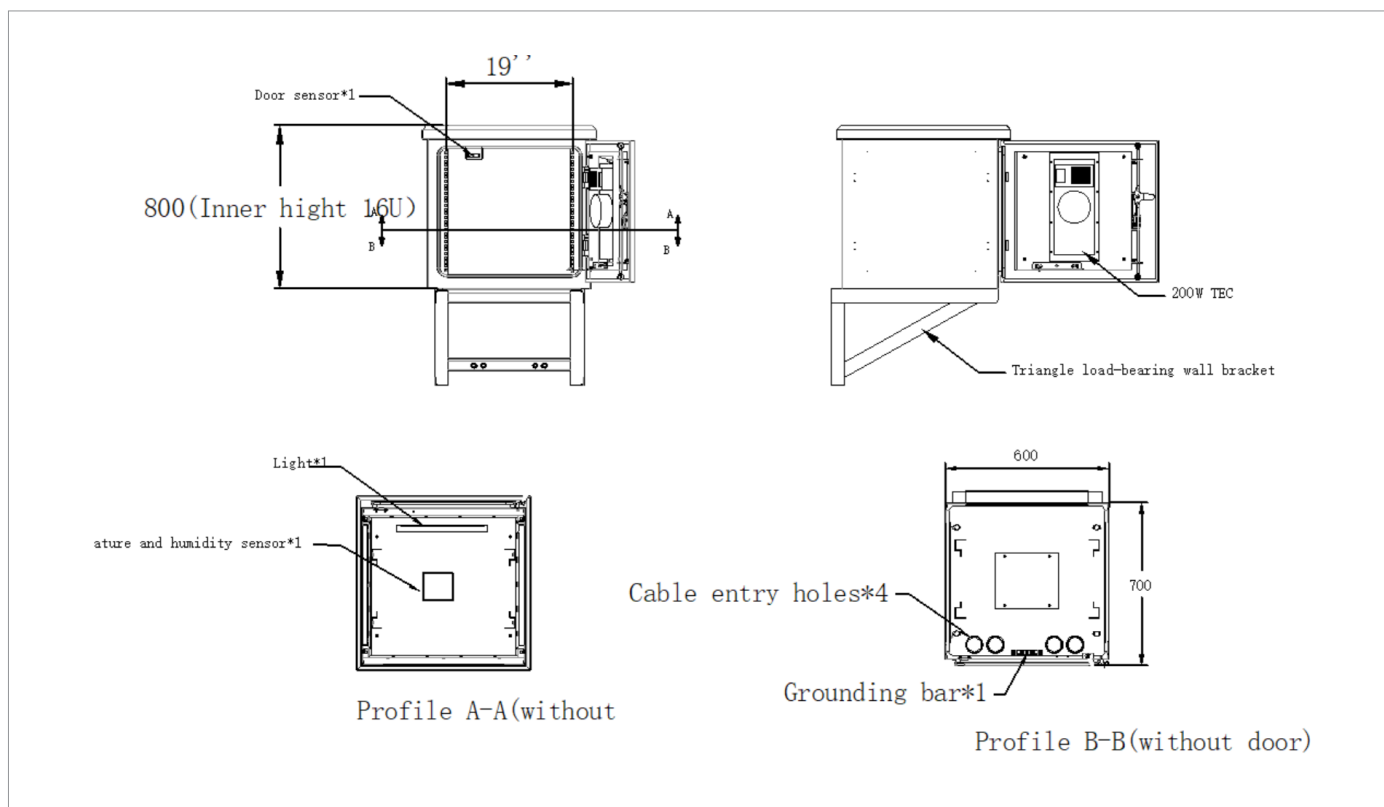
Headquarter :No. 333 Fengcun Road, Fengxian District, Shanghai, China  
Factory Address :No. 26, Heshun Middle Road, Hai'an, Nantong, Jiangsu Province, China



### Data sheet of model HJ-OTC-W

S/N	HJ-OTC-W Series
Certification	ISO,CE, RoHS
Structure	Double layer structure
Cabins	Single cabin
Material	Galvanized sheet
Doors	Front door
Thickness	19"rails:2.0mm,outer panel adopt 1.5mm,internal panel adopt 1.0mm.
Dimension	16U 800H*600W*700Dmm
Cooling method	1*DC48V 200W TEC;
Surface treatment	Painting,plasma electrostatic painting,hot galvanized, powder coating,polishing,brushing,etc.
Mounting method	Wall mounted & Floor mounted;
Optional Accessories	Sensors:1*Door alarm Others:1*Load-bearing triangle wall bracket, 1*AC220V light
IP Degree	IP65;
Color	RAL7035;
Package	Export standard carton box+plywood pallet package,

### Drawings



www.hj-network.com



### HJ-OTC-W Series Order Guide

Please fill in your detail requirement.

S/N	Your requirement	Optional
Structure		ISO,CE, RoHS
Cabins		<input type="checkbox"/> Single layer structure; <input type="checkbox"/> Double layer insulation structure(optional).
Material		<input type="checkbox"/> Single cabin <input type="checkbox"/> Two cabins.
Doors		<input type="checkbox"/> Galvanized sheet; <input type="checkbox"/> 304/316 Stainless Steel(optional); <input type="checkbox"/> Aluminum(optional).
Thickness		<input type="checkbox"/> Front door; <input type="checkbox"/> Front and rear door(optional).
Dimension		<input type="checkbox"/> 19"rails:2.0mm,outer panel adopt 1.5mm,internal panel adopt 1.0mm. <input type="checkbox"/> Accept Other option according to customer.
Cooling method		<input type="checkbox"/> Height:4U-45U Width:500,600mm,800mm,etc Depth:400,500,600,800,etc <input type="checkbox"/> Accept Customized size.
Surface treatment		<input type="checkbox"/> 2*Fans; <input type="checkbox"/> 4*Fans; <input type="checkbox"/> Air condition (optional); <input type="checkbox"/> Heat-exchange(optional).
Mounting method		Painting,plasma electrostatic painting,hot galvanized, powder coating,polishing,brushing,etc.
Optional		<input type="checkbox"/> Wall mounted & Floor mounted; <input type="checkbox"/> Pole mounted (optional).
Accessories		<input type="checkbox"/> Sensors:Door alarm,Temperature Sensor,Humidity Sensor,Water Sensor,Smoke alarm,etc. <input type="checkbox"/> Cooling device:Fan,Air condition,Heat exchange. <input type="checkbox"/> Others:Shelves,light,Monitor,PDU,Power supply, Lightning protection,Breakers,Power distribution box,DDF,ODF,Battery,etc.
IP Degree		<input type="checkbox"/> IP55; <input type="checkbox"/> IP65(optional).
Color		<input type="checkbox"/> RAL7035; <input type="checkbox"/> RAL1013,etc. (optional).
Package		<input type="checkbox"/> Export standard carton box+plywood pallet; <input type="checkbox"/> Export standard plywood box package(optional).



[www.hj-network.com](http://www.hj-network.com)

