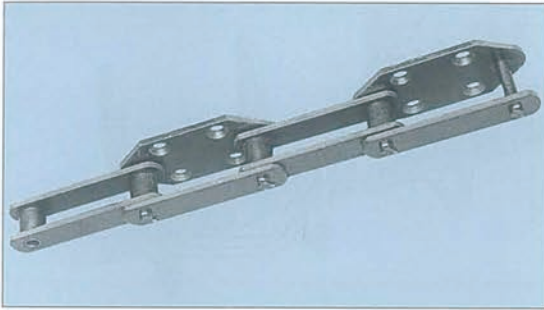


Specialty chain with high wear resistance and fatigue strength.

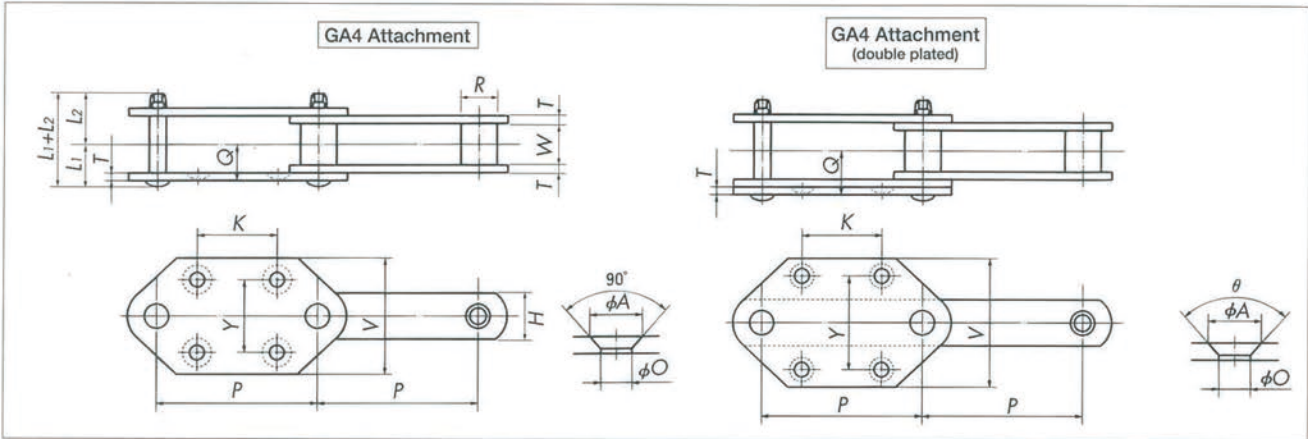


Standard Wear Resistant Series

This chain focuses on highly wear inducing cement, with optimal part material, hardness, and spacing for cement conveyance.

Coal Dust Series

Specially designed chain for conveying corrosive coal dust.



KASIN Chain Number	Pitch P	Roller Diameter R	Inner Link Inner Width W	Plate		Pin			Average Tensile Strength							
				Height H	Thickness T	L1+L2	L1	L2	A Series		B Series		C Series		D Series	
									kN	{kgf}	kN	{kgf}	kN	{kgf}	kN	{kgf}
B10150S	150	29	30	38.1	6.3	69	33	36	113	{11500}	226	{23000}	177	{18000}	191	{19500}
B12006S	152.4	34.9	37.1	44.5	7.9	83.5	40.5	43	186	{19000}	279	{28500}	186	{19000}	279	{28500}
B12200S	200															
B17200S	200	40.1	51.4	50.8	9.5	109.5	51.5	58	245	{25000}	387	{39500}	245	{25000}	378	{38500}
B17250S	250															
B26200N	200	50.8	57.2	63.5	9.5	117	56	61	299	{30500}	564	{57500}	299	{30500}	461	{47000}
B26250N	250															
B26300N	300															
B36250N	250	57.2	66.7	76.2	12.7	129.5*	68.5*	78	-	-	868	{88500}	-	-	765	{78000}
B36300N	300															
B36350N	350															
B60300N	300	70	77	90	12.7	172*	88*	84	-	-	1040	{106000}	-	-	843	{86000}
B60350N	350															
B60400N	400															
B90350N	350	85	88	100	16	197.5*	102*	95.5	-	-	1630	{166000}	-	-	1334	{136000}
B90400N	400															
B120400N	400	100	100	130	19	227.5*	119.5*	108	-	-	2210	{225000}	-	-	1814	{185000}

Note: * indicates GA4 attachment (double plated) dimensions.

■ Contact a KASIN representative regarding conveyor sprockets.

