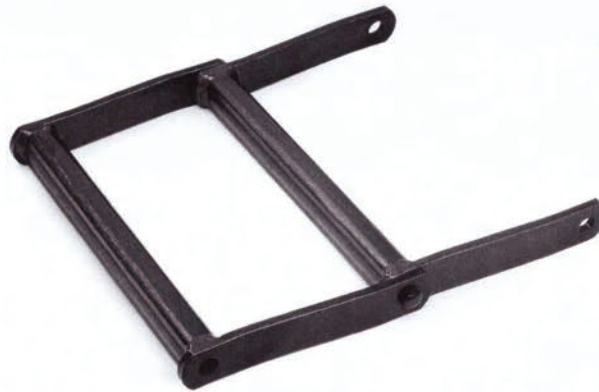
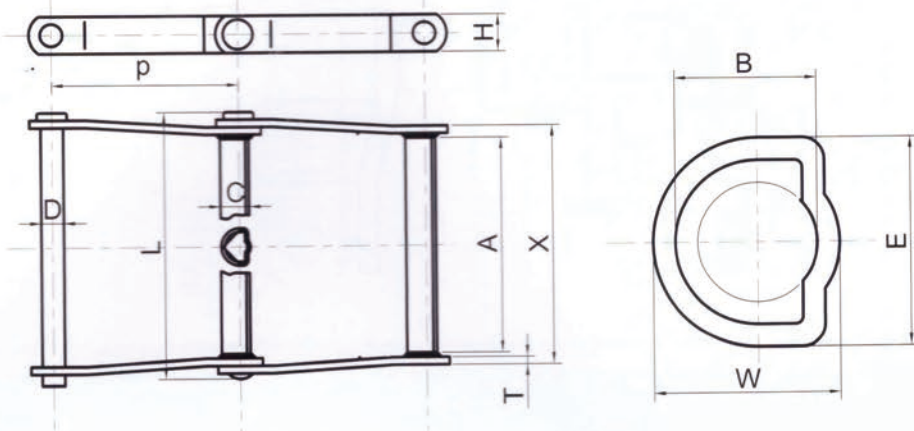


WELDED STEEL DRAG CHAIN AND ATTACHMENT



| 链号 Chain No. | 节距 Pitch | 套筒外径 Outside Barrel dia. | 链板高度 Plate depth | 链板厚度 Thickness of Plate | 链轮接触外宽 Maximum Sprocket Face | 小端外宽 Length of Bearing | 销轴尺寸 Pin dimensions | | 套筒剖面尺寸 Barrel Sectional Dimensions | | | 抗拉强度 Ultimate tensile strength | 重量 Weight approx | |
|-----------------|-------------|-----------------------------|---------------------|----------------------------|---------------------------------|---------------------------|------------------------|--------|---------------------------------------|-------|-------|-----------------------------------|---------------------|-------|
| | P | C | H | T | A(min) | X(max) | D | L | B | E | W | Q | q | |
| | mm | mm | mm | mm | mm | mm | mm | mm | mm | mm | mm | kN | kg/ft | kg/m |
| WD-102 | 127.00 | 38.10 | 38.10 | 9.70 | 162.00 | 197.10 | 19.05 | 233.00 | 19.70 | 38.10 | 31.70 | 226.00 | 5.47 | 17.95 |
| WD-104 | 152.40 | 38.10 | 38.10 | 9.70 | 104.80 | 136.53 | 19.05 | 173.00 | 19.70 | 38.10 | 31.70 | 226.00 | 4.56 | 14.96 |
| WD-110 | 152.40 | 38.10 | 38.10 | 9.70 | 235.00 | 264.00 | 19.05 | 296.00 | 19.70 | 38.10 | 31.70 | 250.00 | 5.75 | 18.86 |
| WD-112 | 203.20 | 38.10 | 38.10 | 9.70 | 228.60 | 260.50 | 19.05 | 296.00 | 19.70 | 38.10 | 31.70 | 170.00 | 4.70 | 15.42 |
| WD-113 | 152.40 | 38.10 | 38.10 | 12.70 | 228.60 | 270.20 | 22.23 | 311.00 | 22.80 | 38.10 | 33.20 | 297.00 | 7.00 | 22.97 |
| WD-116 | 203.20 | 44.45 | 44.45 | 9.70 | 330.20 | 358.80 | 19.05 | 395.00 | 23.65 | 44.45 | 36.65 | 250.00 | 6.72 | 22.45 |
| WD-118 | 203.20 | 50.80 | 50.80 | 12.70 | 377.83 | 336.55 | 22.23 | 422.28 | 28.50 | 50.80 | 44.45 | 311.50 | 8.49 | 27.85 |
| WD-120 | 152.40 | 50.80 | 50.80 | 12.70 | 260.35 | 222.25 | 22.23 | 304.80 | 28.50 | 50.80 | 44.45 | 311.50 | 8.50 | 27.89 |
| WD-122 | 203.20 | 50.80 | 50.80 | 12.70 | 260.35 | 222.25 | 22.23 | 304.80 | 28.50 | 50.80 | 44.45 | 311.50 | 6.94 | 22.77 |
| WD-480 | 203.20 | 50.80 | 50.80 | 12.70 | 280.00 | 323.85 | 22.23 | 367.00 | 28.50 | 50.80 | 44.50 | 311.50 | 9.07 | 29.76 |
| WD-580 | 203.20 | 50.80 | 50.80 | 12.70 | 279.40 | 323.85 | 25.40 | 368.20 | 28.50 | 50.80 | 44.50 | 311.50 | 9.52 | 31.23 |